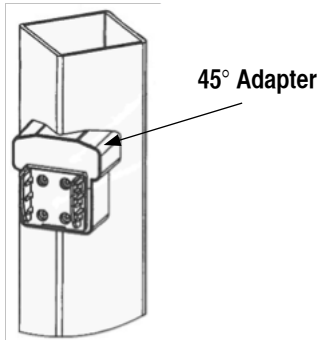


QuickRail® Bracket Kits

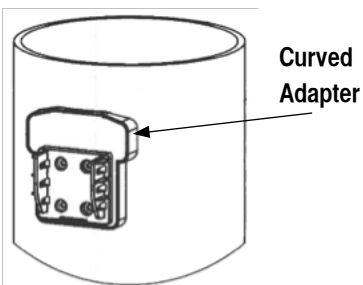
45° and Column Adapters

Figure 1



45° Connection

Figure 2



Column Connection

Before You Begin: Important Information

- 45 degree and column adapters should only be used for applications that are no more than 30" above ground.

Installation

A 45 degree or column connection can be achieved by attaching a mounting bracket to the proper adapter (**Figures 1 & 2**).

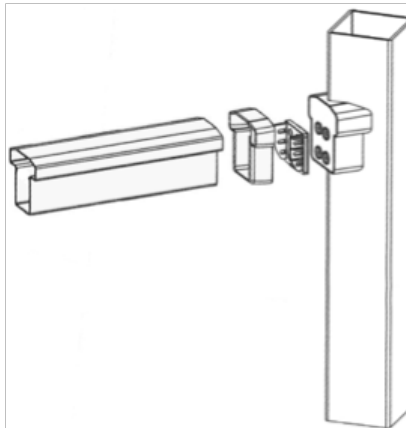
For the 45 degree connection, the rails will have to be trimmed an extra $\frac{5}{16}$ " on each end where an adapter is being used.

For the column connection, the rails will have to be trimmed an extra $\frac{1}{4}$ " on each end where an adapter is being used.

After trimming the rails, the same procedure for installing the straight bracket should then be followed (**Figure 3**).

Note: 2" screws are provided to replace the 1 $\frac{1}{2}$ " screws supplied with the straight bracket kits.

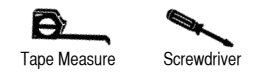
Figure 3



Tools Required



Hacksaw or Circular Saw



Tape Measure Screwdriver



Level Personal Protective Equipment

QuickRail BY FYPON
SYNTHETIC RAILING SYSTEM

Need help? 1.800.446.3040 • www.fypon.com

Warranty Information

For complete warranty details and exclusions, visit the Product Support section at www.fypon.com.

