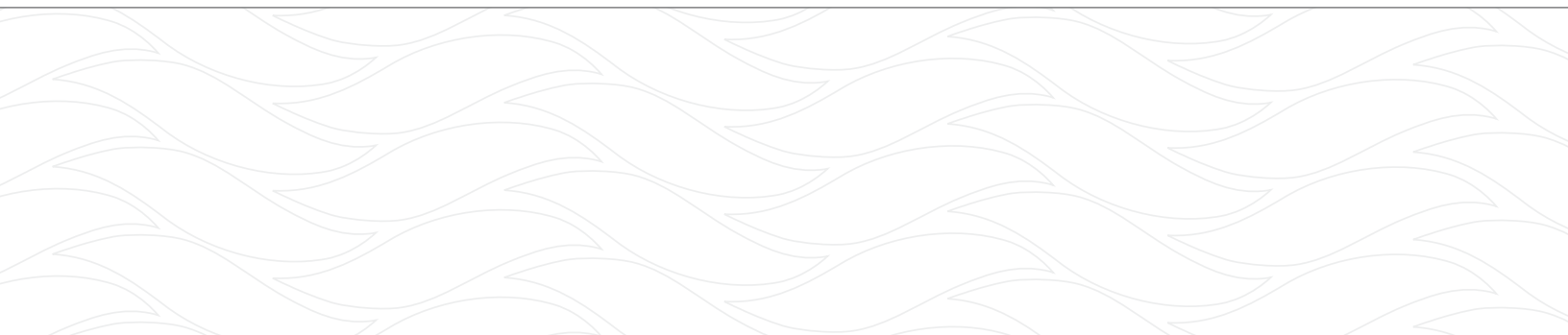




Beam Mantel

Installation Instructions





Hand Hewn



Rough Sawn

Fypon® Beam Mantels look so realistic, it's difficult to distinguish them from real wood. They are lightweight and require no additional structural support.

Our installation instructions provide information about all the tools, hardware and wood mounting blocks or 2x4 or 2x6 you need to successfully install Fypon Beam Mantels.

Support mounting blocks or 2x4 or 2x6 required for installation are based on Beam Mantel length.

Support Mounting Block Table

| Beam Length | Wood Mounting Block (Qty.) |
|-------------|----------------------------|
| Up to 60" | 3 |
| 60" to 78" | 4 |
| 78" to 90" | 5 |

Note: If using a 2x4 or 2x6, it should fit the inside width and height of the beam.

Item Description for Beam Mantel with Mounting Blocks Attached (Fig. 1)

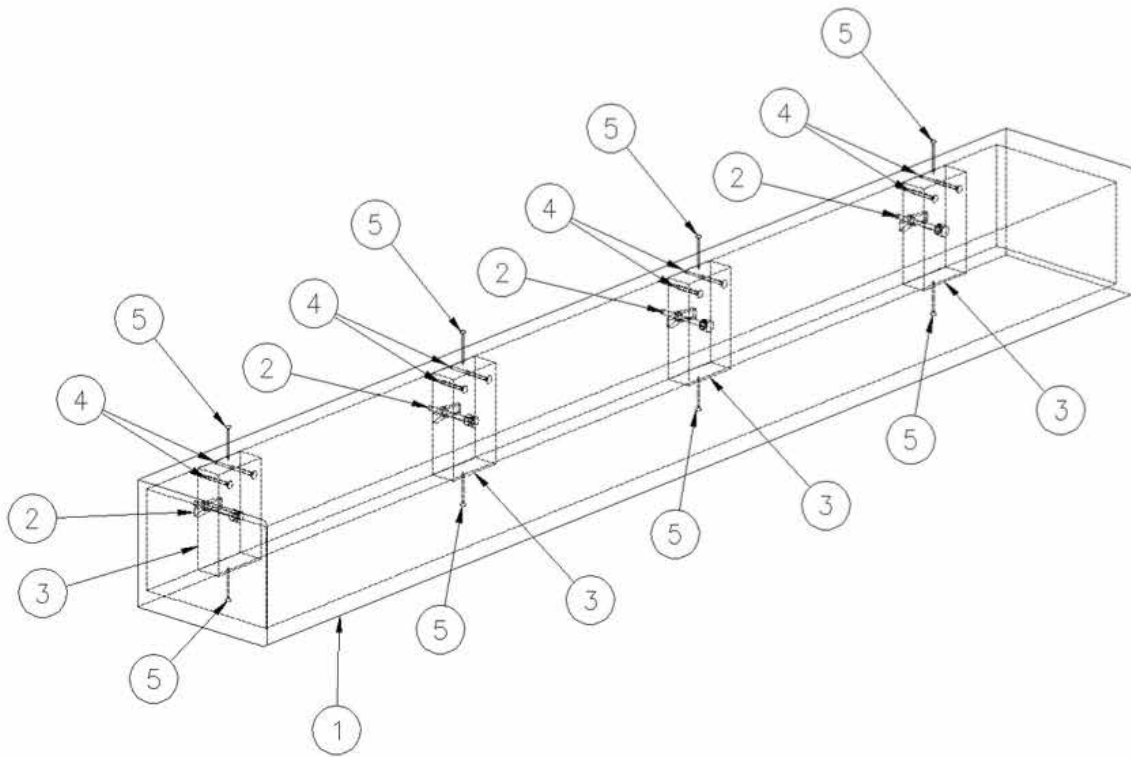


Fig.1

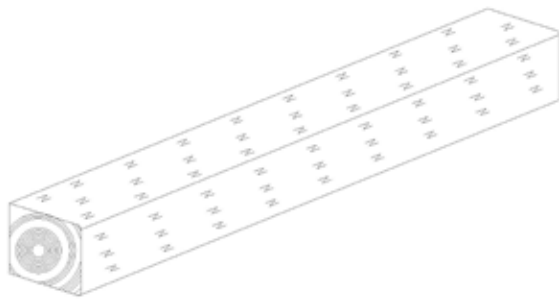
Tools and Supplies required for Beam Mantel Installation

| | |
|--------------------------------|---|
| Ladder | 3/16" Drill Bit |
| Tape Measure | Circular or Hand Saw |
| Level | Power Drill |
| Reciprocating Saw | Spade Bit |
| Caulk Gun | 1-1/2" Trim Screw (Fig. 5) |
| Painters Caulk | Wood Blocks (Fig. 3) |
| Pencil | Stud Finder |
| Safety Glasses | Screwdriver |
| Polyurethane Compatible Filler | Polyurethane Compatible Adhesive |
| Sandpaper | 3/4" x 4" Toggle Bolts (Fig. 2) |
| Paintbrush | 3" Flat Head Fasteners (for drywall or wood) (Fig. 4) |
| Paint / Stain | 1/4" x 2-3/4" Flat Head Tapcon Screw (for masonry) (Fig. 6) |

Parts required for Beam Mantel Installation

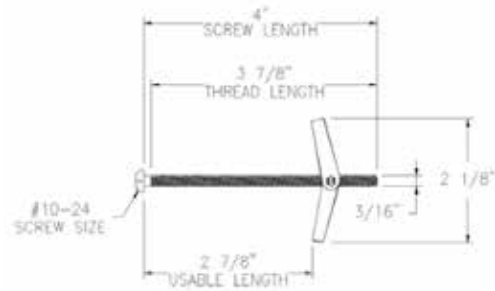
| Item | Description | Figure |
|------|--|----------|
| 1 | Beam Mantel | Figure 1 |
| 2 | 3/16" x 4" Toggle Bolt | Figure 2 |
| 3 | Wood Mounting Blocks or 2x4 or 2x6* | Figure 3 |
| 4 | 3" Flat Head Fasteners (for drywall or wood) | Figure 4 |
| 5 | 1-1/2" Trim Screw | Figure 5 |
| 6 | 1/4" x 2-3/4" Flat Head Tapcon Screw (for masonry) | Figure 6 |

*A 2x4 or 2x6 the length of the mantel can be used as well.



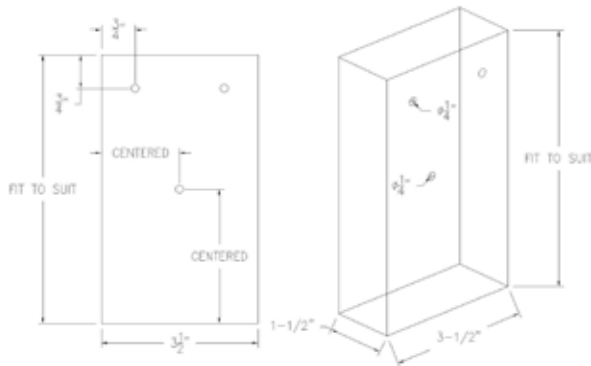
MANTEL BEAM

Fig. 1



3/16"x4" TOGGLE BOLT

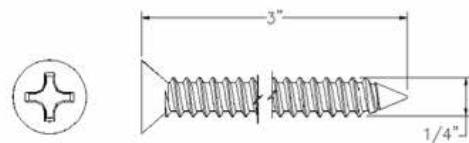
Fig. 2



2X4 WOOD BLOCK*

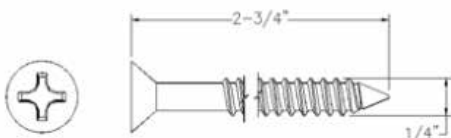
Fig. 3

*8x10 Beam Mantel requires a 2x6 wood block.



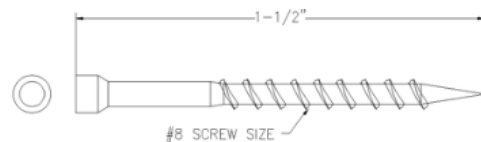
3" FLAT HEAD SCREW

Fig. 4



1/4X2-3/4" FLAT HEAD TAPCON SCREW

Fig. 5



1-1/2 TRIM SCREW

Fig. 6

Step 1 - Stain or paint Beam Mantel. See finishing guidelines on fypon.com.

Step 2 - Measure the wall for placement of the Beam Mantel and mark several points. Place level on markings, level and draw a guideline across the width of the wall where mantel will be placed. (Fig. 7)

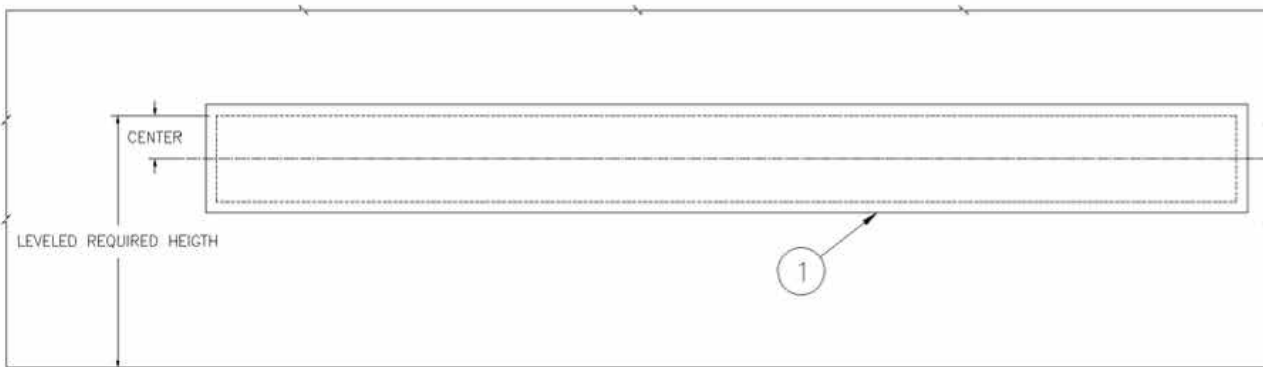
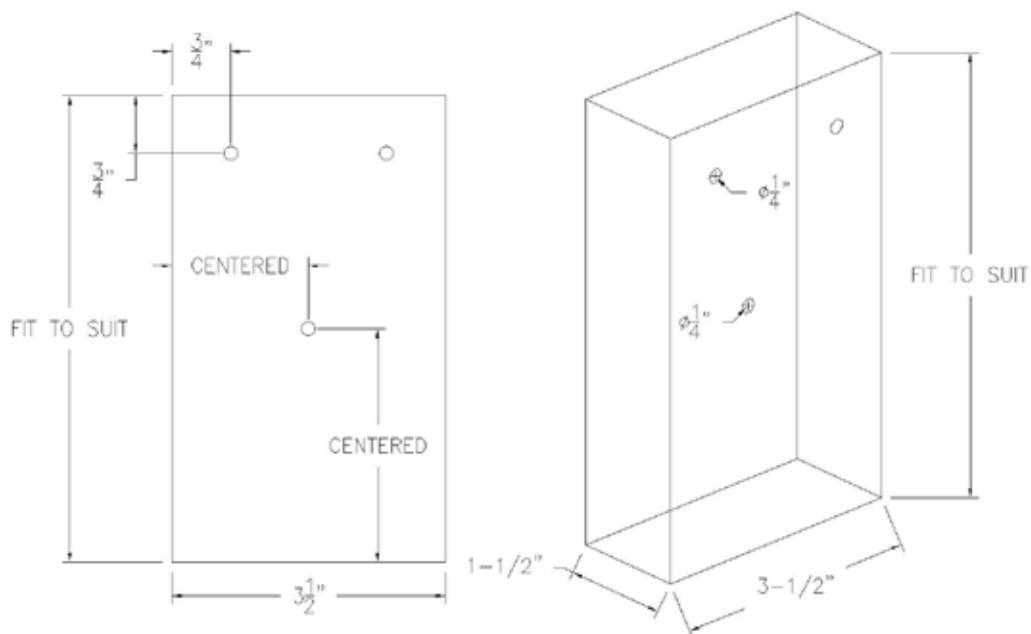


Fig. 7

Step 3 - Cut wood mounting blocks from a 2x4 or 2x6 or use a 2x4 or 2x6 the length of the Beam Mantel. Mounting Blocks or 2x4 or 2x6 support need to match the inside width of Beam Mantel. Drill one hole into the center portion of each mounting block with a 1/4" drill bit and two holes at the top corners, 3/4" from top and sides of the mounting block. (Fig. 3)

Note: if using a 2x4 or 2x6 the length of the beam, determine where to drill holes along the length of the 2x4 or 2x6 based on Step 4.



2X4 WOOD BLOCK

Fig. 3

FOR DRYWALL

Step 4A - Measure placement of the mounting blocks or 2x4 or 2x6 on the wall. With an equal distributed distance between them (see Support Mounting Block Table on page 2), use a stud finder to ensure area behind façade is clear for installation of screws and toggle bolt, to secure mounting blocks or 2x4 or 2x6 to the wall.

Step 5A - Hold each mounting block to the wall or place the 2x4 or 2x6 on the wall, center it on the guideline. Using a Phillips head screwdriver, insert into top pre-drilled 1/4" holes at the top corners and center of the mounting block or 2x4 or 2x6 and dimple wall. Remove blocks or 2x4 or 2x6 and use spade bit to drill 5/8" hole needed for toggle bolt.

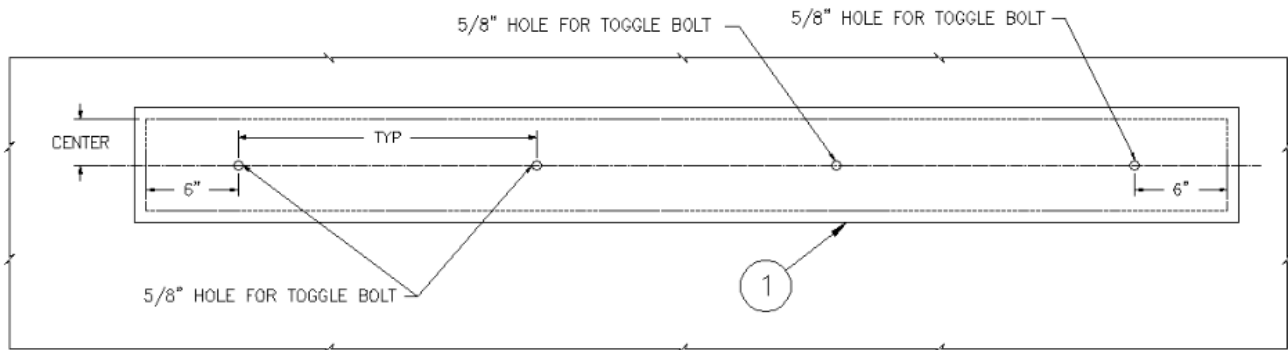


Fig. 8

Step 6A - Screw two 3" flat head fasteners in the pre-drilled holes on the top corners of the wood mounting block or into each area of the 2x4 or 2x6. Insert toggle bolt into the middle pre-drilled hole of the mounting block or 2x4 or 2x6 and securely attach the wood mounting block or 2x4 or 2x6 to the wall. Repeat for all mounting blocks. Lightly mark the centerline of each mounting block or centerline where holes have been placed along the 2x4 or 2x6 (top and bottom) on the wall to align where fasteners (1-1/2" trim screws, Fig. 9) will attach Beam Mantel to mounting blocks or 2x4 or 2x6.

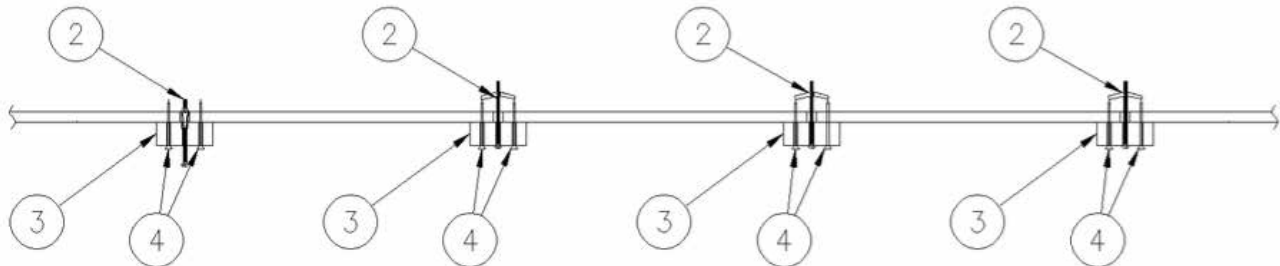


Fig. 9

Step 7A - Apply PL Premium or adhesive to the top and bottom of the wood mounting blocks or along the top and bottom of the 2x4 or 2x6 where the Beam will be attached. (Fig. 10)

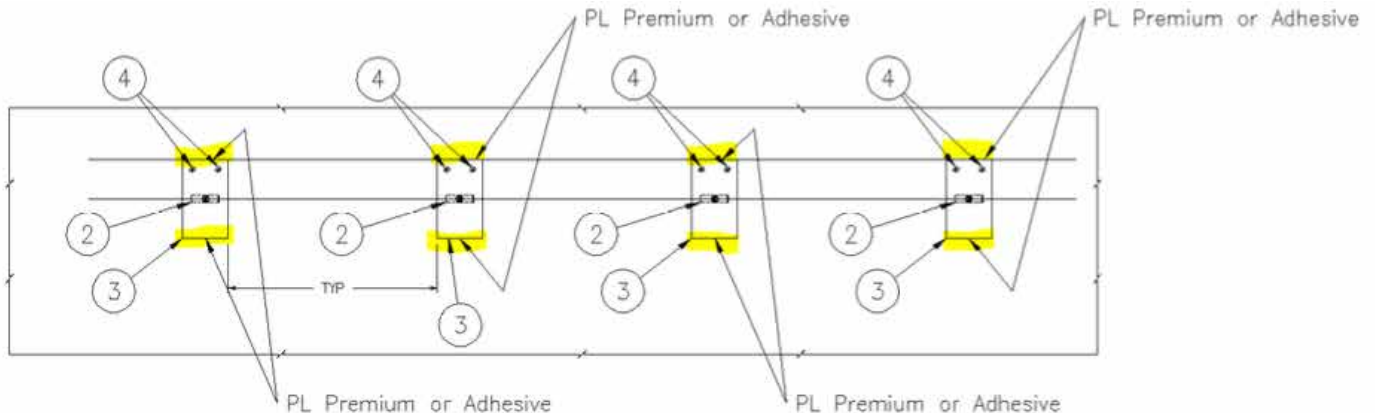


Fig. 10

Step 8A - Apply PL Premium or adhesive to the sides of the Beam Mantel (Fig. 11 and 12). Press the Beam Mantel to the wall over the mounting blocks or 2x4 or 2x6. Insert 1-½" trim screws through Beam Mantel into wood mounting block or 2x4 or 2x6 approximately 1" from the wall (Fig. 13 and 14). Ensure trim screws are installed vertically without an angle for maximum hold. Countersink screw about 1/8" and apply filler. Touch up with paint or stain.

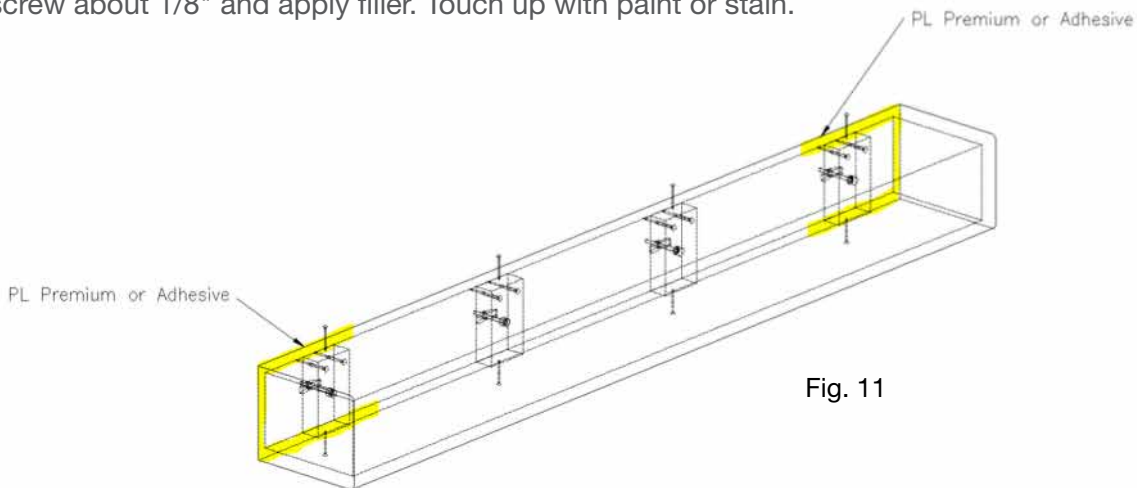


Fig. 11



Fig. 12

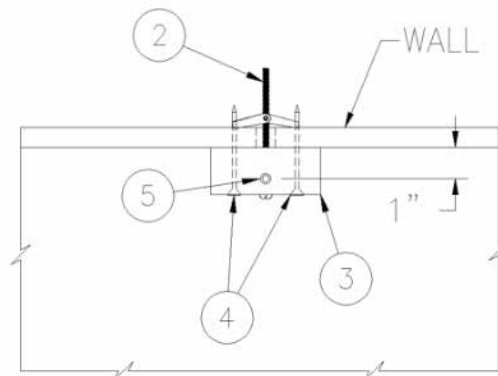


Fig. 13

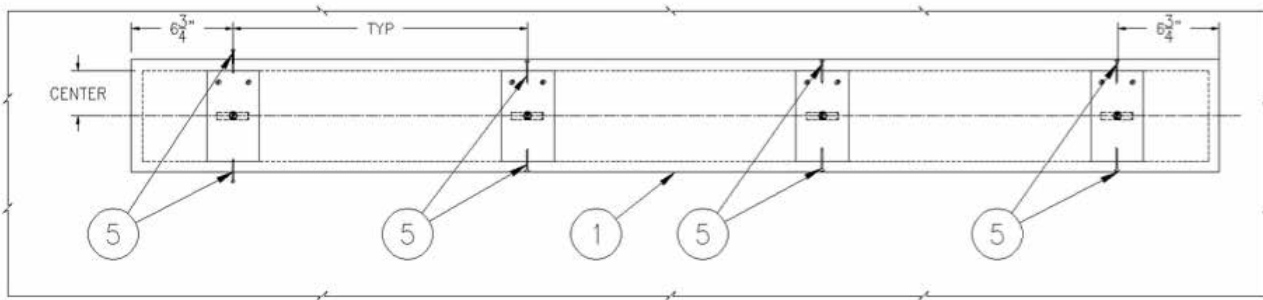


Fig. 14

FOR WOOD OR CONCRETE

Step 4A - Measure placement of mounting blocks or 2x4 or 2x6 on the wall, with an equal distributed distance between them (see Support Mounting Block Table on page 2) use a stud finder to ensure area behind façade is clear for installation of screws for securing mounting blocks or 2x4 or 2x6 to the wall. (If stone or masonry brick, no need to use the stud finder, use Tapcon screws.)

Step 5B - Hold each mounting block or 2x4 or 2x6 to the wall, center it on the guideline. Using a Phillips head screwdriver, insert into top and center drilled 1/4" holes and dimple the wall. If stone or masonry brick, drill a 3/16" hole in the wall (needed for the Tapcon screws), for each hole on the wood mounting block or each hole in the 2x4 or 2x6. (Fig. 15)

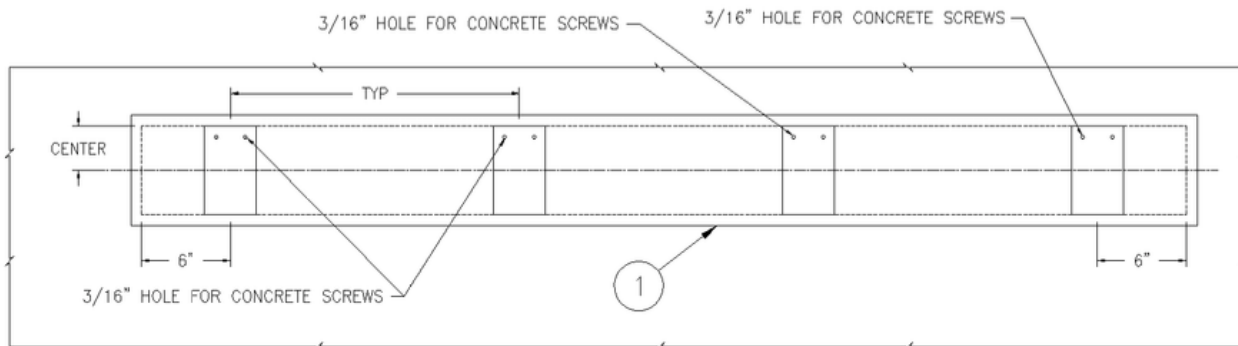


Fig. 15

Step 6B - Insert three 3" flat head fasteners into the mounting block or 2x4 or 2x6 and securely attach the wood mounting block or 2x4 or 2x6 to the wall. (Fig. 16) Lightly mark the centerline of each mounting block or 2x4 or 2x6 where holes have been drilled along the width of the 2x4 or 2x6 (top and bottom) on the wall to align where fasteners (1-1/2" trim screws, Step 8B) will attach Beam Mantel to blocks or 2x4 or 2x6. (If stone or masonry brick, use Tapcon screws.)

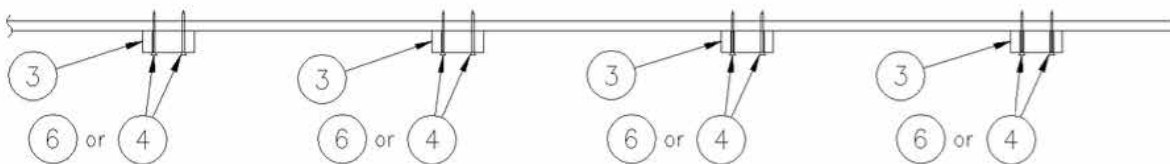


Fig. 16

Step 7B - Apply PL Premium or adhesive to the top and bottom of the wood mounting blocks or 2x4 or 2x6 where the Beam Mantel will be attached. (Fig. 17)

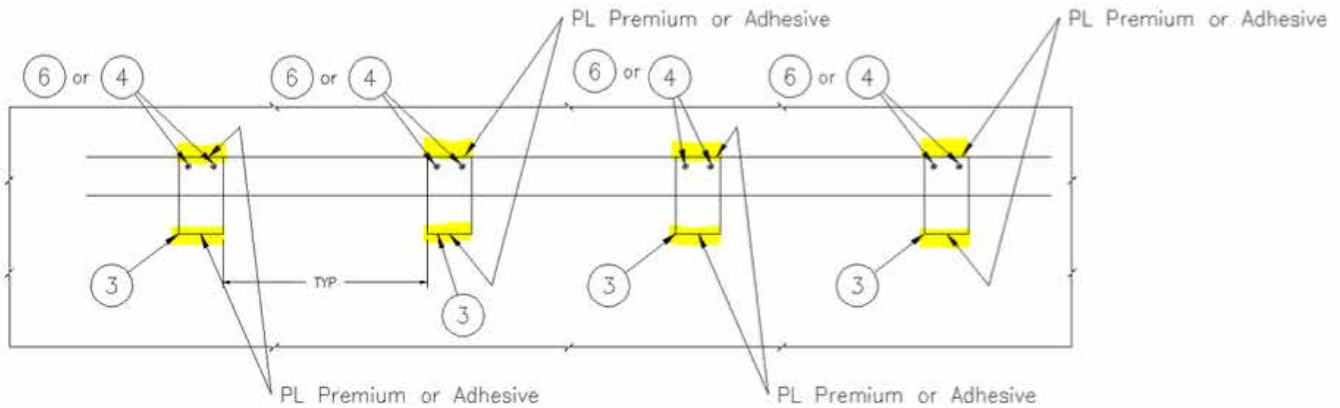


Fig. 17

Step 8B - Apply PL Premium or adhesive to the sides of the Beam Mantel (Fig. 18 and 19). Press the Beam to the wall over mounting blocks or over 2x4 or 2x6. Insert 1-½" trim screws through Beam Mantel into wood mounting block or 2x4 or 2x6 approximately 1" from the wall (Fig. 20 and 21). Ensure trim screws are installed vertically without an angle for maximum hold. Countersink screw about 1/8" and apply filler. Touch up with paint or stain.

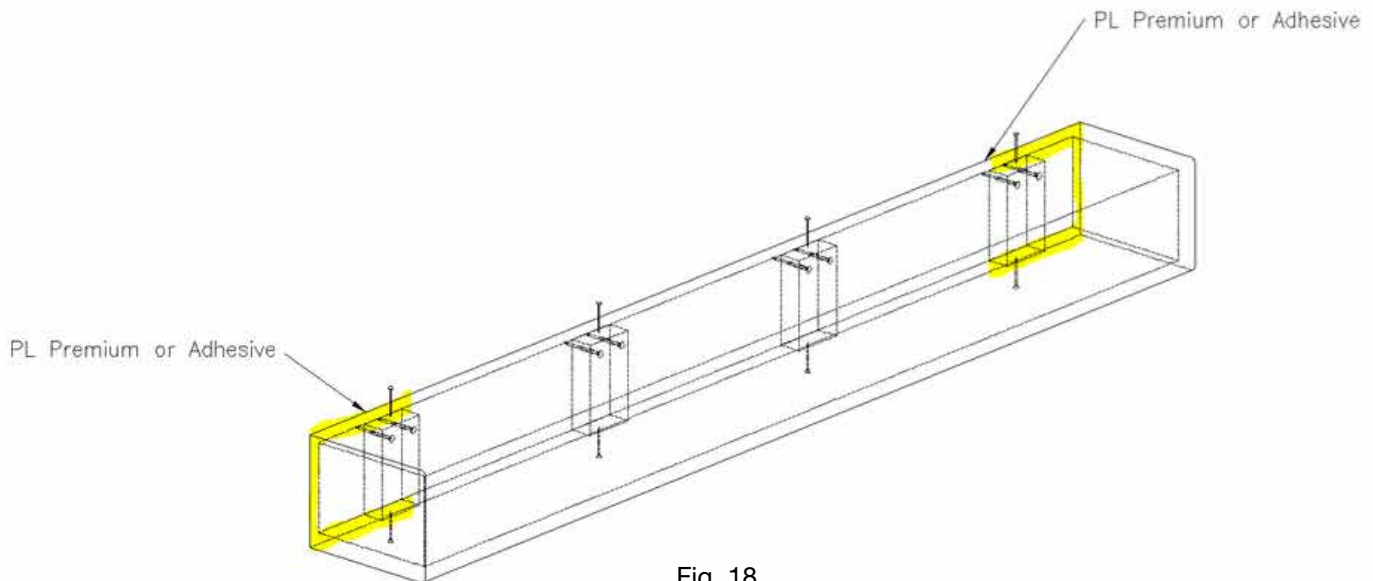


Fig. 18



Fig. 19

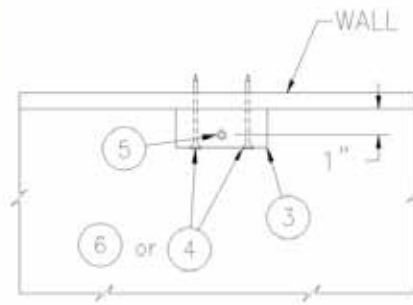


Fig. 20

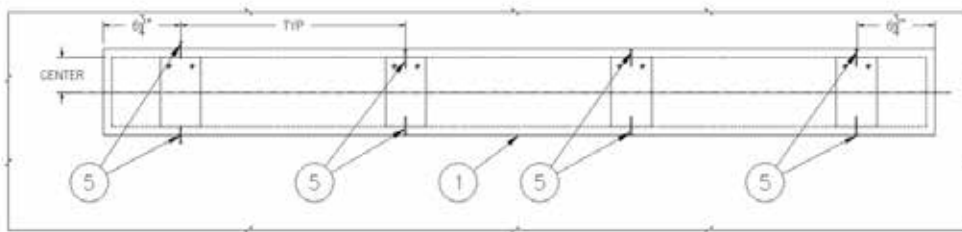


Fig. 21

Beam Mantel Testing

Fypon® polyurethane Beam Mantels were tested to ASTM D1929 – IGNITION TEMPERATURE EVALUATION ON BEAM MANTEL POLYURETHANE FOAM USING FOAMRESIN-R MATERIAL, and shown to be safe from ignition at a temperature of 300 degrees Celsius or 572 degrees Fahrenheit. As a comparison, wood (soft woods, such as pine, cedar, redwood, fir, poplar, etc.) will ignite at 180 degrees Celsius or 300 degrees Fahrenheit.

Weight Load Capacity

Testing by a third-party lab showed a weight load capacity of up to 200 lbs.

Fire Code Information Using Fypon Beam Mantels

Refer to International Residential Code Information for Fireplace Mantels; Section R1001.11 Fireplace Clearance and National Fire Code Information for Fireplace Mantels.

General Installation Notes

Any adhesives, sealants, fillers or paint used must be compatible with the material that is being installed (see manufacturer's recommendations in the Finishing and Adhesives section below). Always use corrosion-resistant mechanical screws along with manufacturer's recommended adhesive product when installing all Fypon products. This combination provides a secure, long-lasting bond. Countersink all fasteners about 1/8" and fill with product compatible filler. Exterior installations should be finished using a manufacturer's recommended caulk to prevent water infiltration behind siding, windows and doors.

Finishing and Adhesives

Fypon polyurethane products are factory primed. Depending on product location, always use interior / exterior-grade PUR compatible adhesives, sealants and fillers when installing Fypon products. Consult the manufacturer's recommendations for your particular climate and the substrate you are installing to.

IMPORTANT

Please read these installation guidelines thoroughly before beginning installation. Please note that these guidelines are provided only to assist with the installation of Fypon millwork products. Modified procedures may be required in order to meet specific situations, unique applications and local building codes. The manufacturer does not, under any circumstances, warrant the installation of its products. Be sure to wear appropriate protective clothing, gloves and safety glasses when working with any tools. Installer should check for and relocate all electrical wiring within the proposed installation area, as needed (be sure to disconnect all electric power before working with any electrical wiring and follow all applicable local electrical codes and safety procedures).



1750 Indian Wood Circle | Maumee, OH 43537 | Phone: 800.446.3040 U.S. and Canada
Fax: 800.446.9373 U.S. and Canada | fypon.com | info@fypon.com



Fypon warrants all of our products to be free from defects in material and workmanship for as long as the original owner of the residential dwelling owns the property.
For complete homeowner lifetime limited warranty details, exclusions and limitations, please see your purchase location or visit www.fypon.com.